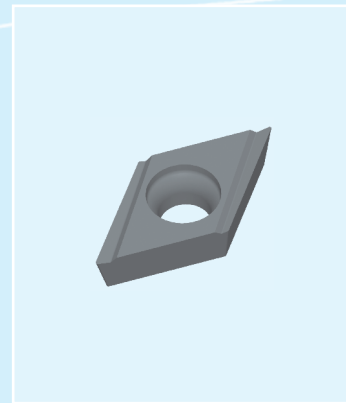


ISO-Wendeschneidplatten ISO Turning inserts

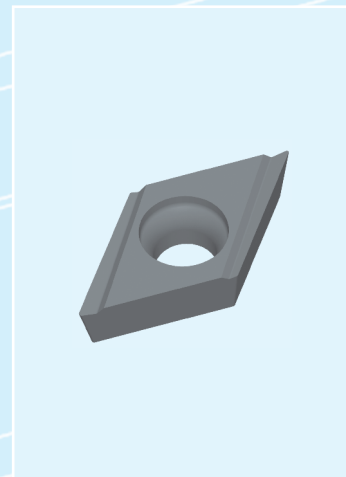
DCET 0702

Grösse Size		Radius	M10/30 D20	M10/30 D60
0702003	FL	0.03	418229	418251
070201	FL	0.1	418230	418252
070202	FL	0.2	418231	418253
070204	FL	0.4	418232	418254
<hr/>				
0702003	FR	0.03	418233	418255
070201	FR	0.1	418234	418256
070202	FR	0.2	418235	418257
070204	FR	0.4	418236	418258



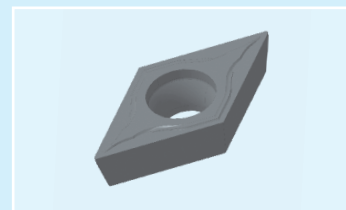
DCET 11T3

Grösse Size		Radius	M10/30 D20	M10/30 D60
11T3005	FL	0.05	418237	418259
11T301	FL	0.1	418238	418260
11T302	FL	0.2	418239	418261
11T304	FL	0.4	418240	418262
11T308	FL	0.8	418241	418263
<hr/>				
11T3005	FR	0.05	418242	418264
11T301	FR	0.1	418243	418265
11T302	FR	0.2	418244	418266
11T304	FR	0.4	418245	418267
11T308	FR	0.8	418246	418268



DCGT 11T3

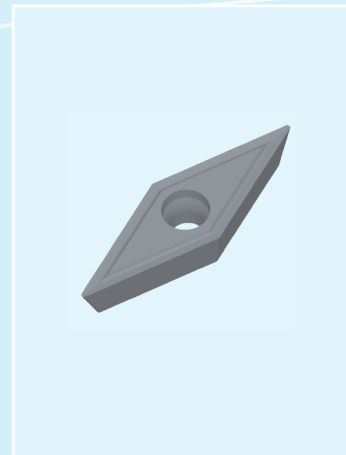
Grösse Size		Radius	M10/30 D20	M10/30 D30	M10/30 D60
11T302	FN	0.2	427451	427452	427453



ISO-Wendeschneidplatten ISO Turning inserts

VCGT 1103

Grösse Size		Radius	M10/30 D20	M10/30 D30	M10/30 D60
1103005	FN	0.05	418247		418269
1103008	FN	0.08	418248		418270
110302	FN	0.2	418249	427450	418271
<hr/>					
1103000	FL	0.00	423685	423691	423697
1103008	FL	0.08	423686	423692	423698
110302	FL	0.2	423687	423693	423699
<hr/>					
1103000	FR	0.00	423688	423694	423700
1103008	FR	0.08	423689	423695	423701
110302	FR	0.2	423690	423696	423702



VCET 1303

Grösse Size		Radius	M10/30 D20	M10/30 D60
1303020	FL	0.2	424480	424486
1303040	FL	0.4	424481	424487
1303080	FL	0.8	424482	424488
<hr/>				
1303020	FR	0.2	424483	424489
1303040	FR	0.4	424484	424490
1303080	FR	0.8	424485	424491



VCGX 1103

Grösse Size		Radius	M10/30 D90	M10/30 unbeschichtet non-coated
1103008	FN	0.08	427449	427448
110302	FN	0.2	427447	427446

